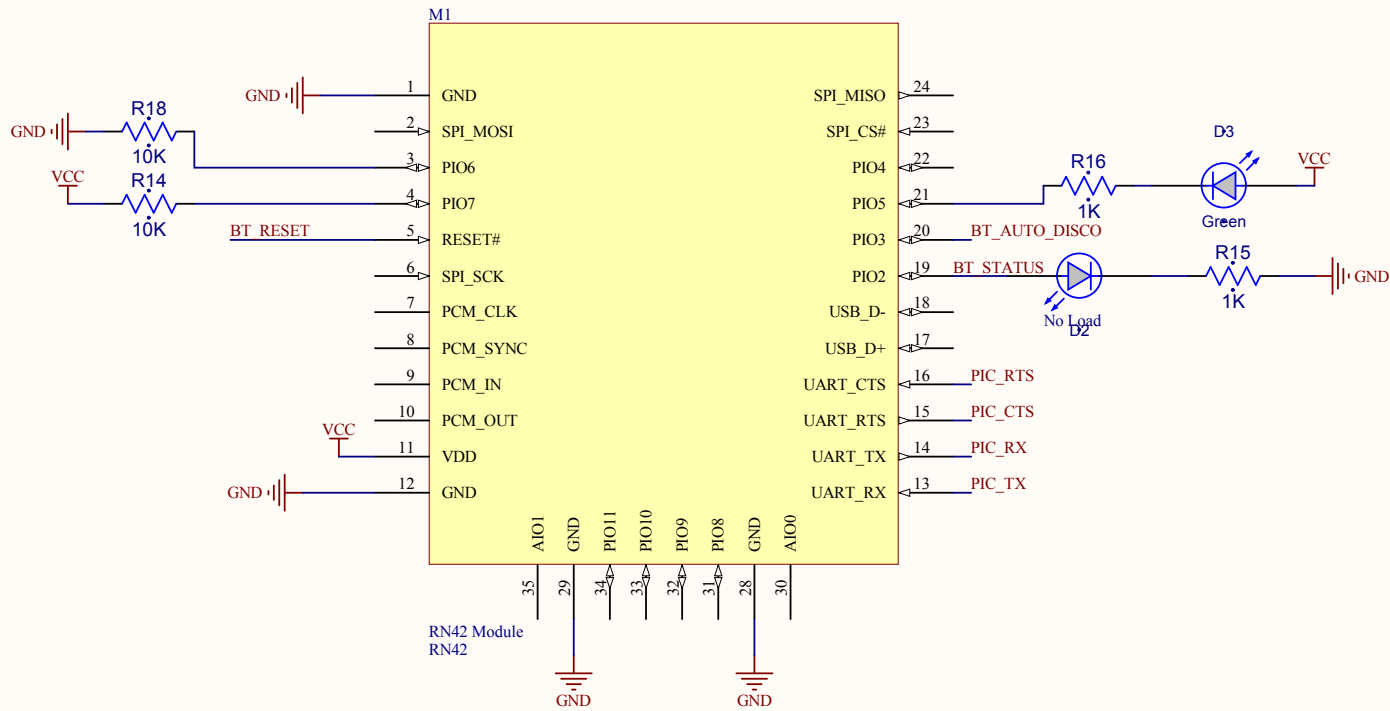
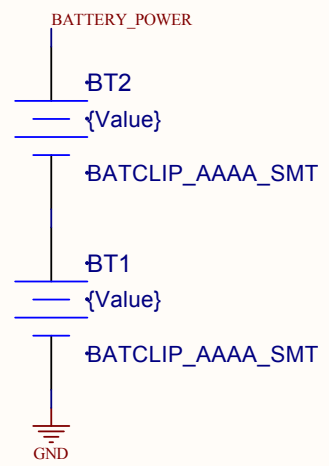
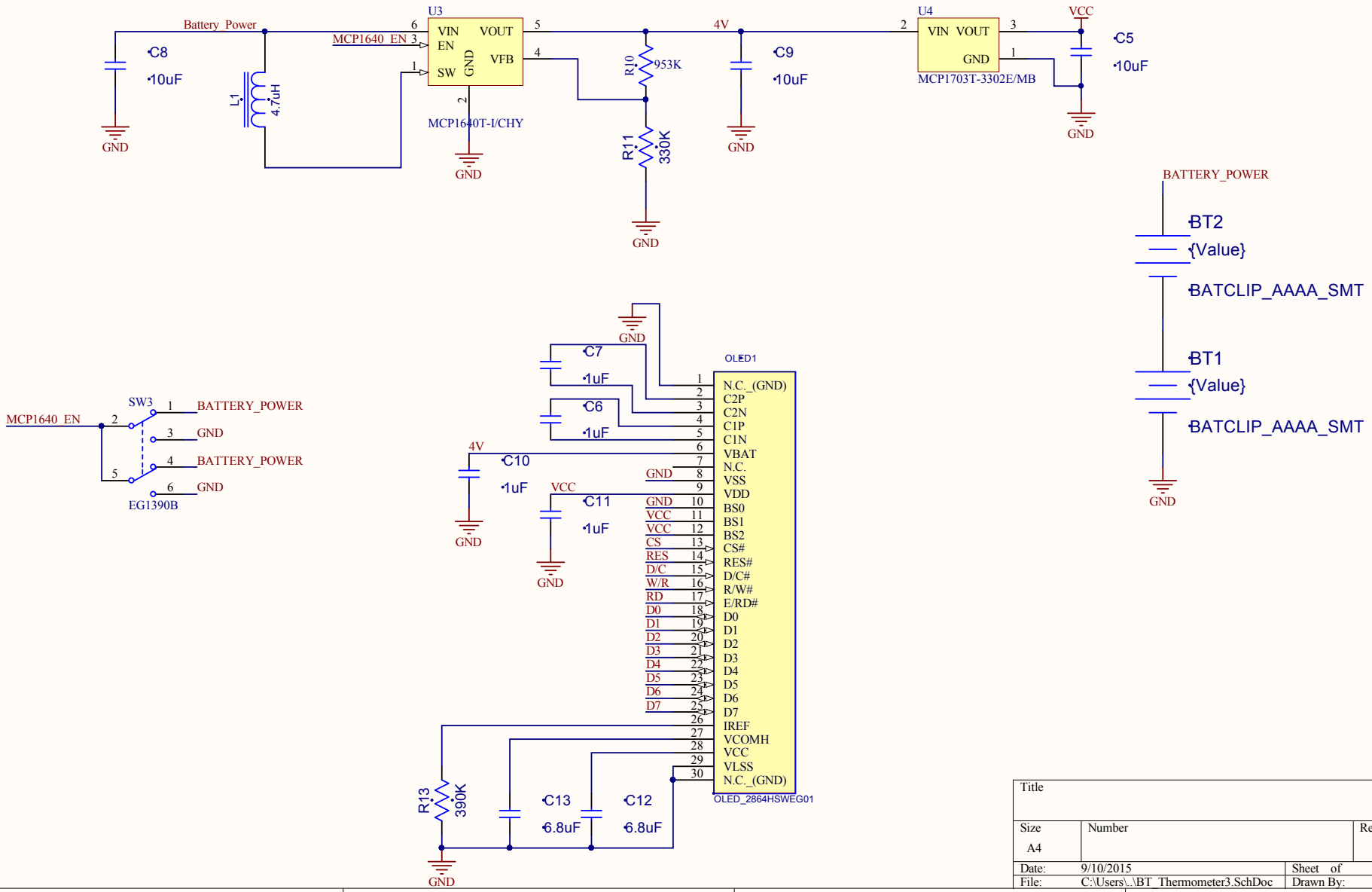


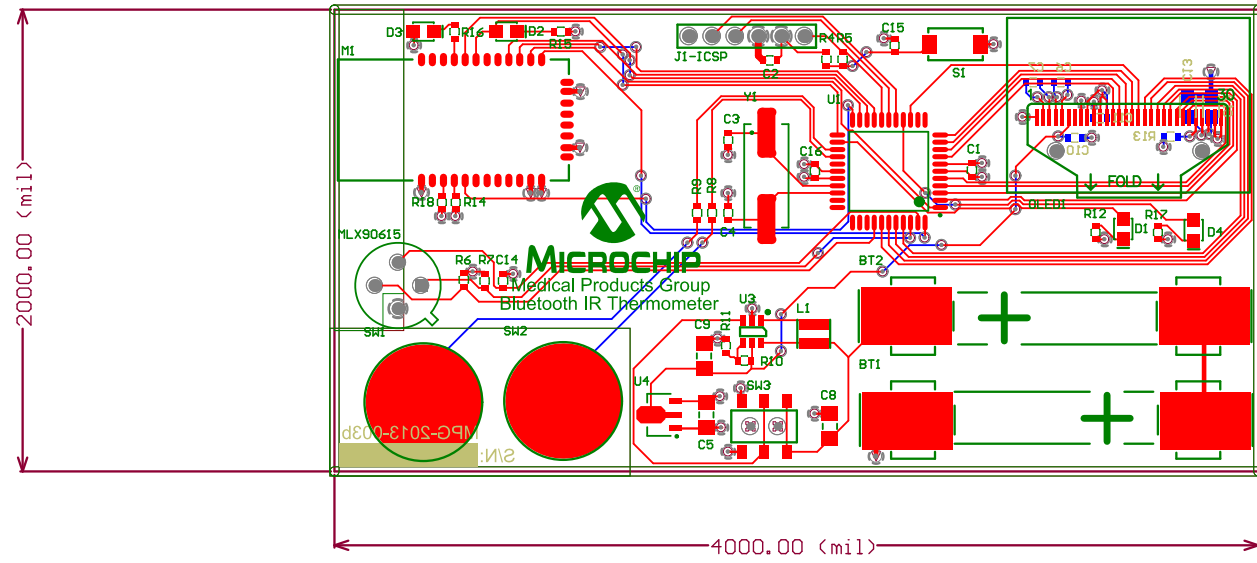
Title		
Size A4	Number	Revision
Date: 9/10/2015	Sheet of	
File: C:\Users\...BT_Thermometer1.SchDoc	Drawn By:	



Title		
Size	Number	Revision
A4		
Date:	9/10/2015	Sheet of
File:	C:\Users\...BT_Thermometer2.SchDoc	Drawn By:



Title		
Size A4	Number	Revision
Date: 9/10/2015	Sheet of	
File: C:\Users\...\BT_Thermometer3.SchDoc	Drawn By:	



Symbol	Hit Count	Tool Size	Plated	Hole Type
○	64	10mil (0.254mm)	PTH	Round
▽	7	15mil (0.381mm)	PTH	Round
⊙	4	31.496mil (0.8mm)	PTH	Round
⊗	2	35mil (0.889mm)	PTH	Round
⊗	2	35.433mil (0.9mm)	NPTH	Round
☆	6	38mil (0.965mm)	PTH	Round
85 Total				

Drill Drawing.

Layer Stack Up Detail for: BT_Thermometer.PcbDoc

Layer Name
Top Layer
GND (Negative)
VCC (Negative)
Bottom Layer